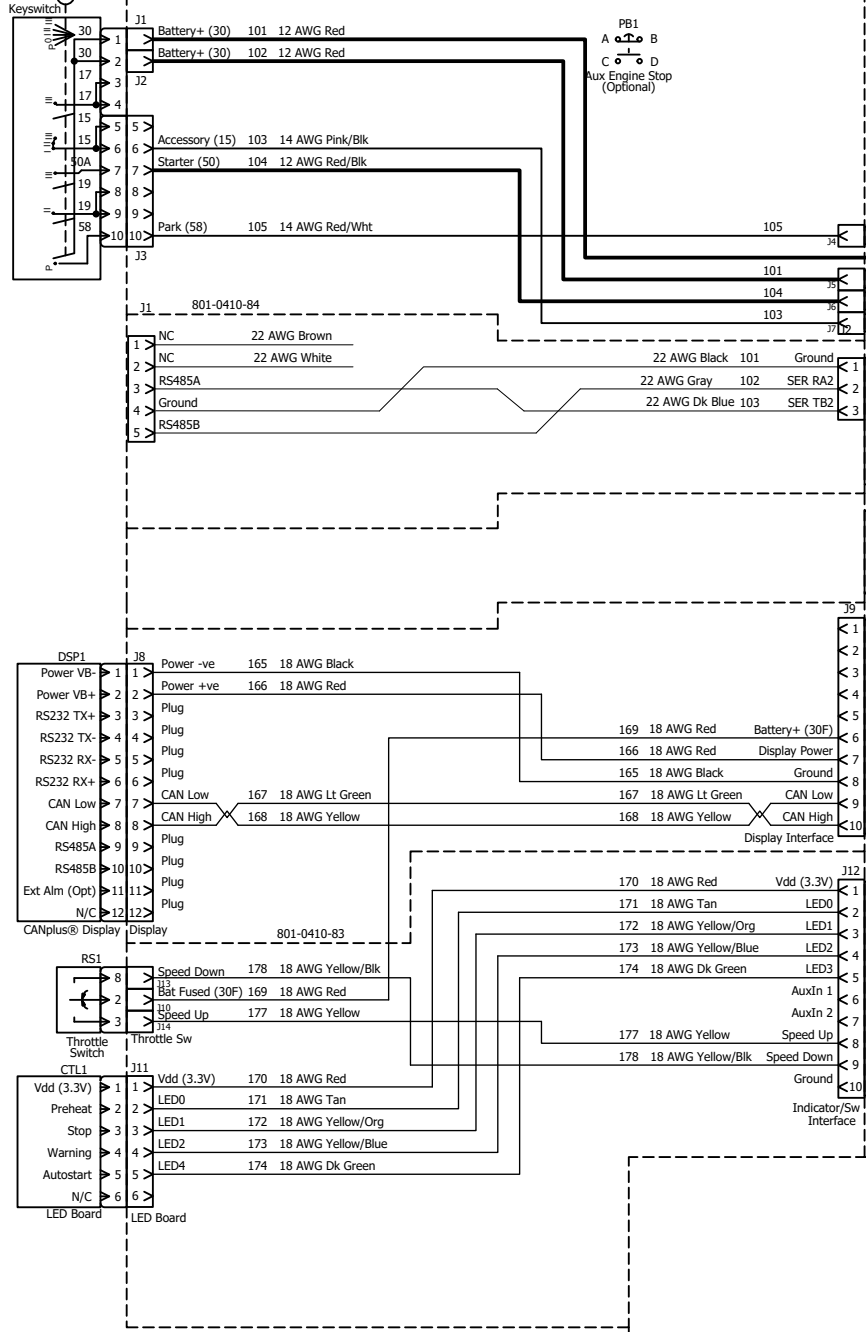
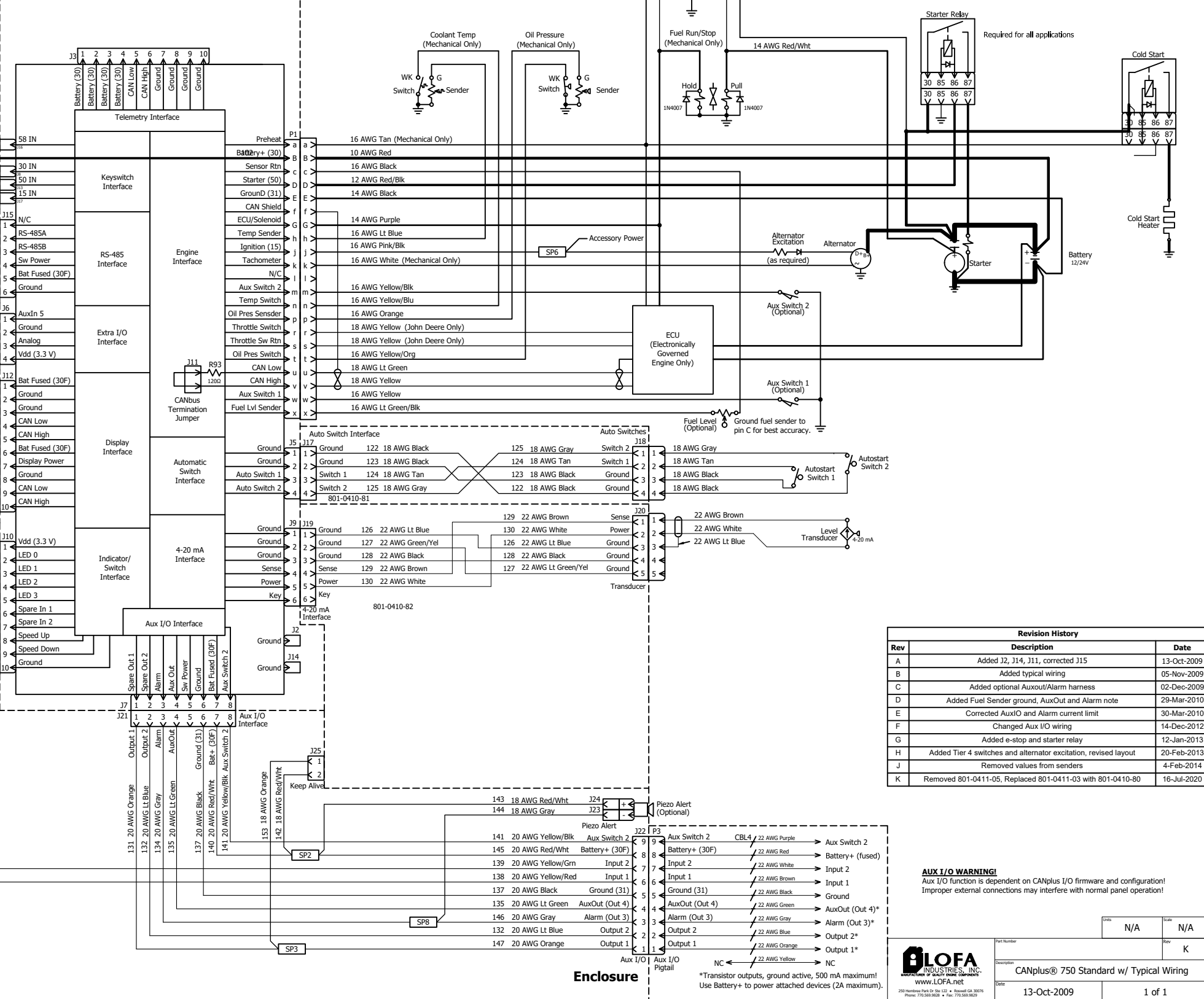


Position	P	O	I	II	III	12V	24V
58	■					8A	4A
15/54				■	■	35A	18A
19				■	■	70A	30A
17				■	■	70A	40A
50a				■	■	70A Int 18A	40A Int 5A



Enclosure Typical Connections



Mechanical Mode Preheat Options
 The CP750 can control preheat timing (ground output) or indicate preheat from external controller (positive or ground input). Mechanical preheat mode and parameters are selected via the CANplus Configuration Kit only.

Rev	Description	Date
A	Added J2, J14, J11, corrected J15	13-Oct-2009
B	Added typical wiring	05-Nov-2009
C	Added optional Auxout/Alarm harness	02-Dec-2009
D	Added Fuel Sender ground, AuxOut and Alarm note	29-Mar-2010
E	Corrected AuxIO and Alarm current limit	30-Mar-2010
F	Changed Aux I/O wiring	14-Dec-2012
G	Added e-stop and starter relay	12-Jan-2013
H	Added Tier 4 switches and alternator excitation, revised layout	20-Feb-2013
J	Removed values from senders	4-Feb-2014
K	Removed 801-0411-05, Replaced 801-0411-03 with 801-0410-80	16-Jul-2020

AUX I/O WARNING!
 Aux I/O function is dependent on CANplus I/O firmware and configuration!
 Improper external connections may interfere with normal panel operation!

Part Number	N/A	Rev	N/A
Description	CANplus® 750 Standard w/ Typical Wiring		
Date	13-Oct-2009	Page	1 of 1

© 2009-2013 LOFA Industries, Inc. All Copyright and Trademark Rights Reserved.
 THE INFORMATION CONTAINED IN THIS DRAWING IS CONFIDENTIAL AND THE SOLE PROPERTY OF LOFA INDUSTRIES, INC. is strictly prohibited.
 Reproduction or dissemination in whole or in part in any form or medium without express prior written permission of LOFA INDUSTRIES, INC. is strictly prohibited.
 The CANplus logo is a registered trademark of LOFA Industries, Inc.
 Aluflex, CANplus, CP50, CP750, EL240, EP250 and the LOFA logo are trademarks of LOFA Industries, Inc.

*Transistor outputs, ground active, 500 mA maximum!
 Use Battery+ to power attached devices (2A maximum).