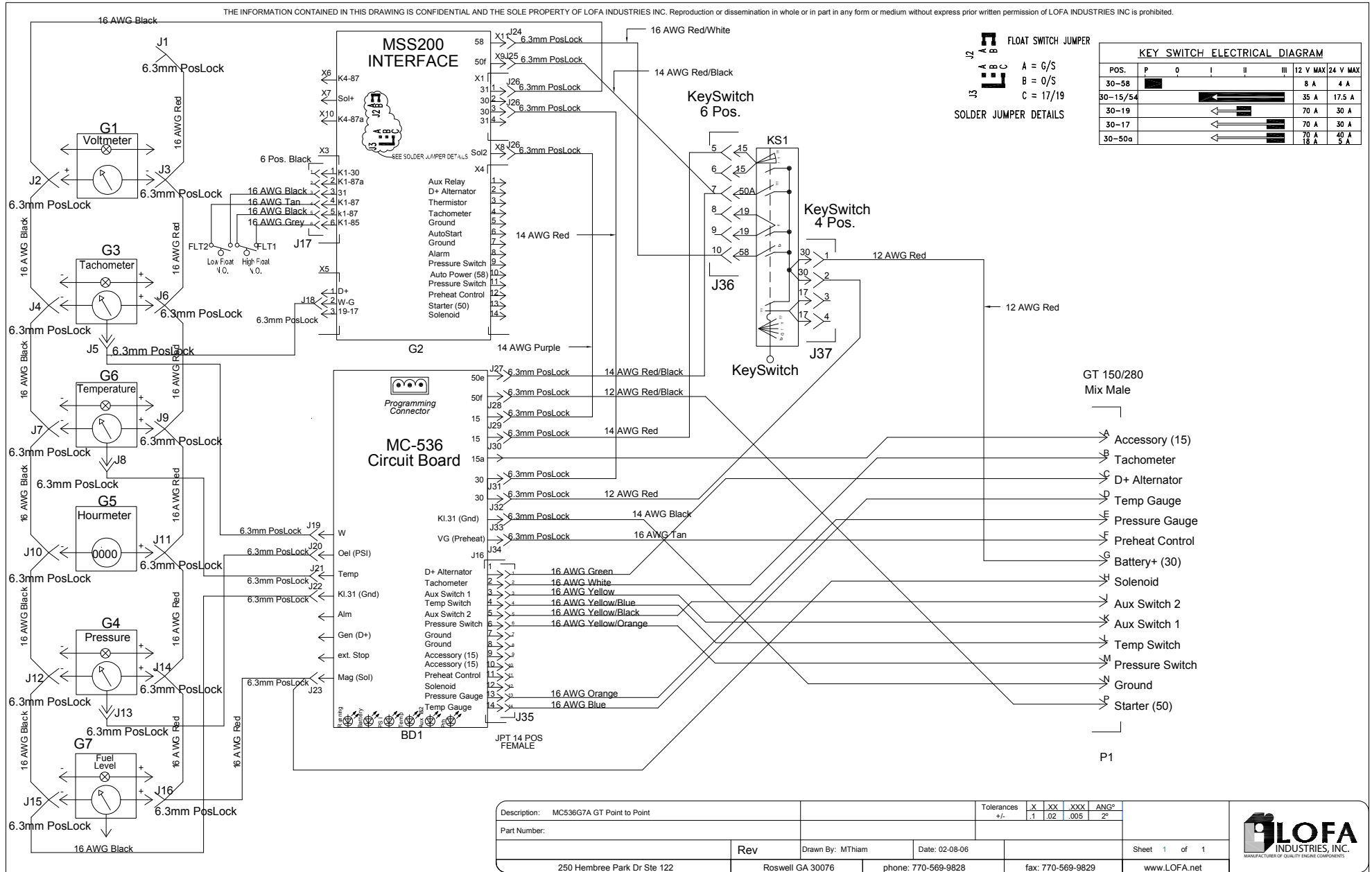


MC536 Series Panel Schematic With Delphi GT Connector Shown with Optional MSS-200 Auto Start / Stop Module



MC536 Series Panel Schematic

THE INFORMATION CONTAINED IN THIS DRAWING IS CONFIDENTIAL AND THE SOLE PROPERTY OF LOFA INDUSTRIES INC. Reproduction or dissemination in whole or in part in any form or medium without express prior written permission of LOFA INDUSTRIES INC is prohibited.

