

MC-6LC SERIES ENGINE CONTROL INSTRUMENT FOR MECHANICALLY GOVERNED ENGINES

The MC-6LC is an incredibly compact micro indication system for diesel engine monitoring. Bright LED illuminated symbols monitor battery charge, low oil pressure, high temperature, air filter restriction, and two additional contact closure inputs. The solid-state design incorporates alternator excitation and is wiring plug compatible with the MC6K.

All of these features are packaged in a durable housing that fits standard 2" panel openings. The included U-clamp and 7" (6.3mm) spade terminals simplify plug-and-play installation and make the MC-6LC an ideal choice for dash mounted environments. The MC-6LC wired to a key switch and an engine wiring harness provides a complete engine monitoring system for mechanically governed engines.

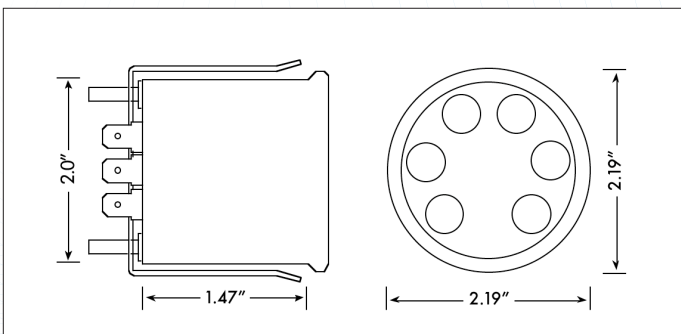


MC-6LC

MC-6LC FEATURES

- Engine monitoring for battery charge, low oil pressure, high temperature, air filter restriction, and two additional contact closure inputs
- Extremely compact design fits most every mobile equipment application
- Ultra bright LED illuminated symbols are highly visible in direct sunlight
- Heavy-duty aluminum enclosure designed to withstand extreme industrial applications (IP63 spray resistant from the instrument face.)
- Simple plug and play modular design provides allows for rapid equipment completion 12 volt and 24 volt operation
- Operating temperature: -20° to 185° F (-30° to 85° C)
- 2-year limited warranty

MC-6LC DIMENSIONS



©2014 LOFA Industries, Inc. LOFA Industries, Inc. is constantly striving to improve its products and must therefore reserve the right to change designs, materials, specifications and prices without notice. Printed in the USA. 12/14

LOFA[™]
INDUSTRIES

250 Hembree Park Drive, Suite 122
Roswell GA 30076
Phone: 770 569 9828
Fax: 770 569 9829
www.LOFA.net

Advanced Engine Control Technology