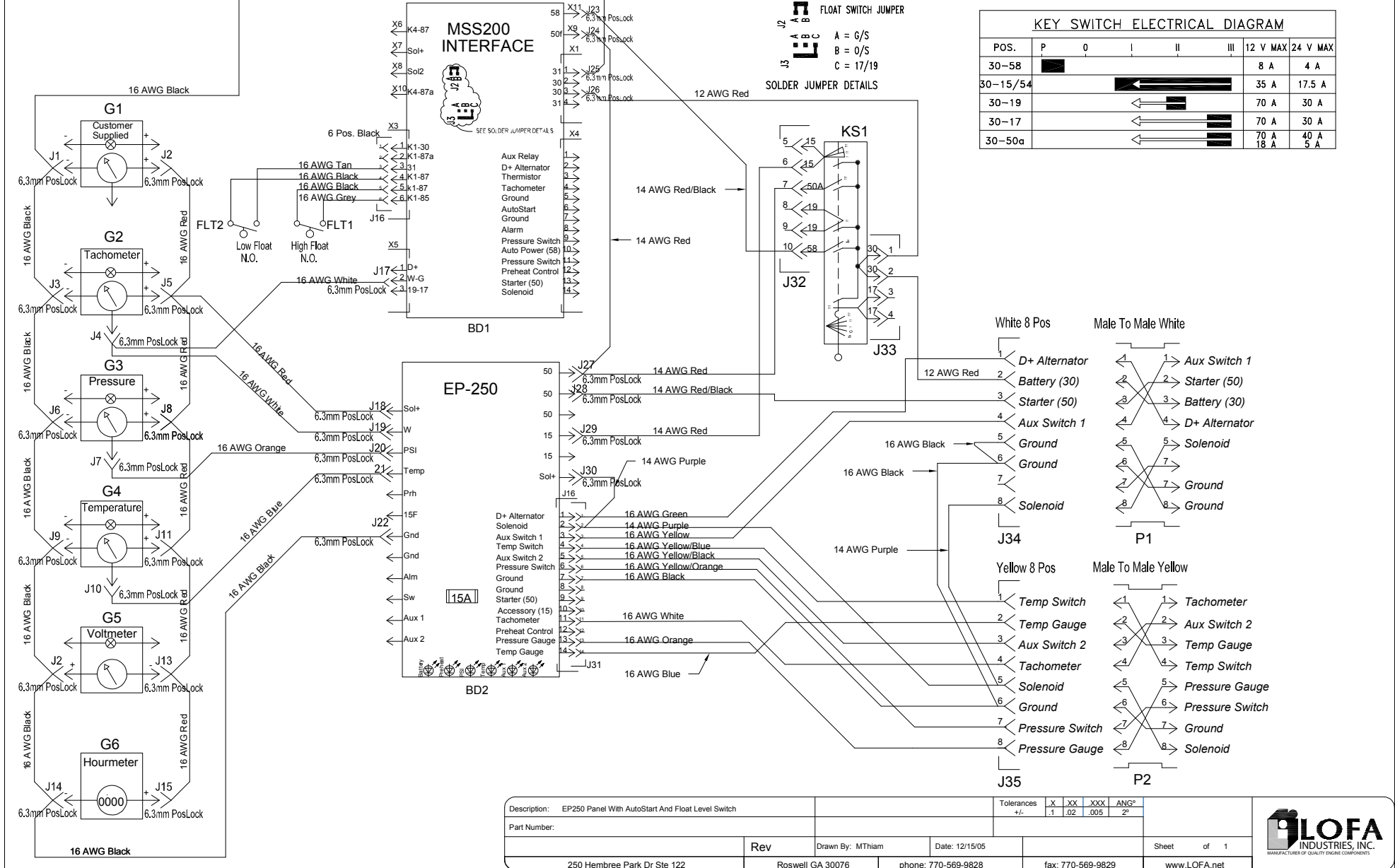


EP250 Series Panel Schematic with W/Y Connector Shown with Optional MSS-200 Auto Start / Stop Module

THE INFORMATION CONTAINED IN THIS DRAWING IS CONFIDENTIAL AND THE SOLE PROPERTY OF LOFA INDUSTRIES INC. Reproduction or dissemination in whole or in part in any form or medium without express prior written permission of LOFA INDUSTRIES INC is prohibited.

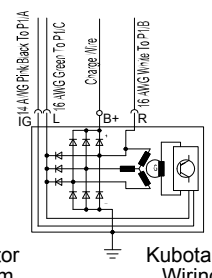
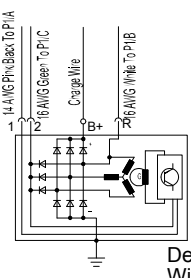
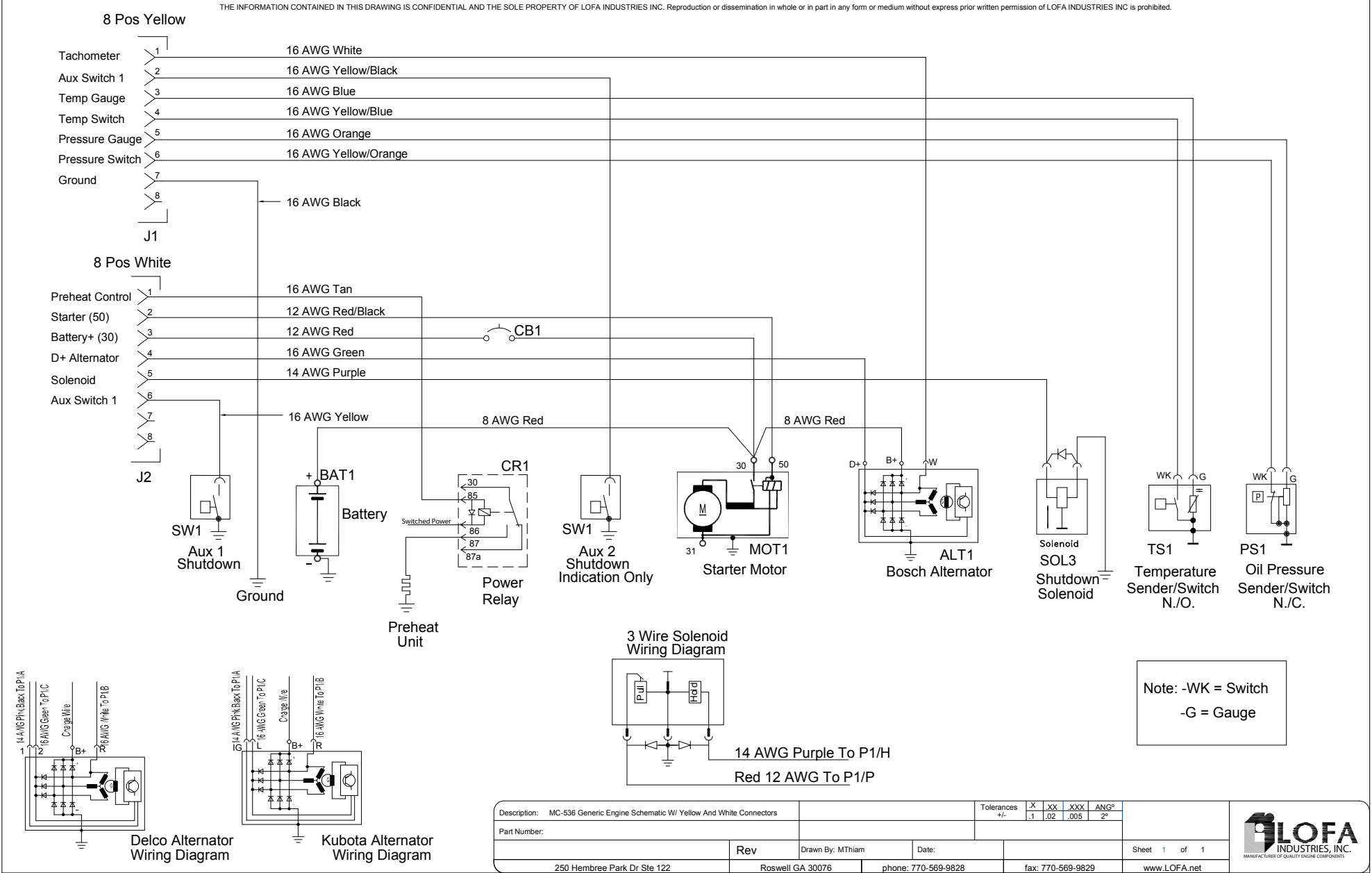


Description: EP250 Panel With AutoStart And Float Level Switch		Tolerances	
Part Number:		X	XX XXX ANG ^o
Rev		+.1	.02 .005 2"
250 Hembree Park Dr Ste 122	Roswell GA 30076	phone: 770-569-9828	fax: 770-569-9829
Drawn By: MThiam	Date: 12/15/05	Sheet of 1	
www.LOFA.net			



EP250 Series Panel Schematic with W/Y Connector

THE INFORMATION CONTAINED IN THIS DRAWING IS CONFIDENTIAL AND THE SOLE PROPERTY OF LOFA INDUSTRIES INC. Reproduction or dissemination in whole or in part in any form or medium without express prior written permission of LOFA INDUSTRIES INC is prohibited.



Description: MC-536 Generic Engine Schematic W/ Yellow And White Connectors		Tolerances	
Part Number:		±	ANG°
Rev	Drawn By: MThiam	Date:	Sheet 1 of 1
250 Hembree Park Dr Ste 122	Roswell GA 30076	phone: 770-569-9828	fax: 770-569-9829
www.LOFA.net			

