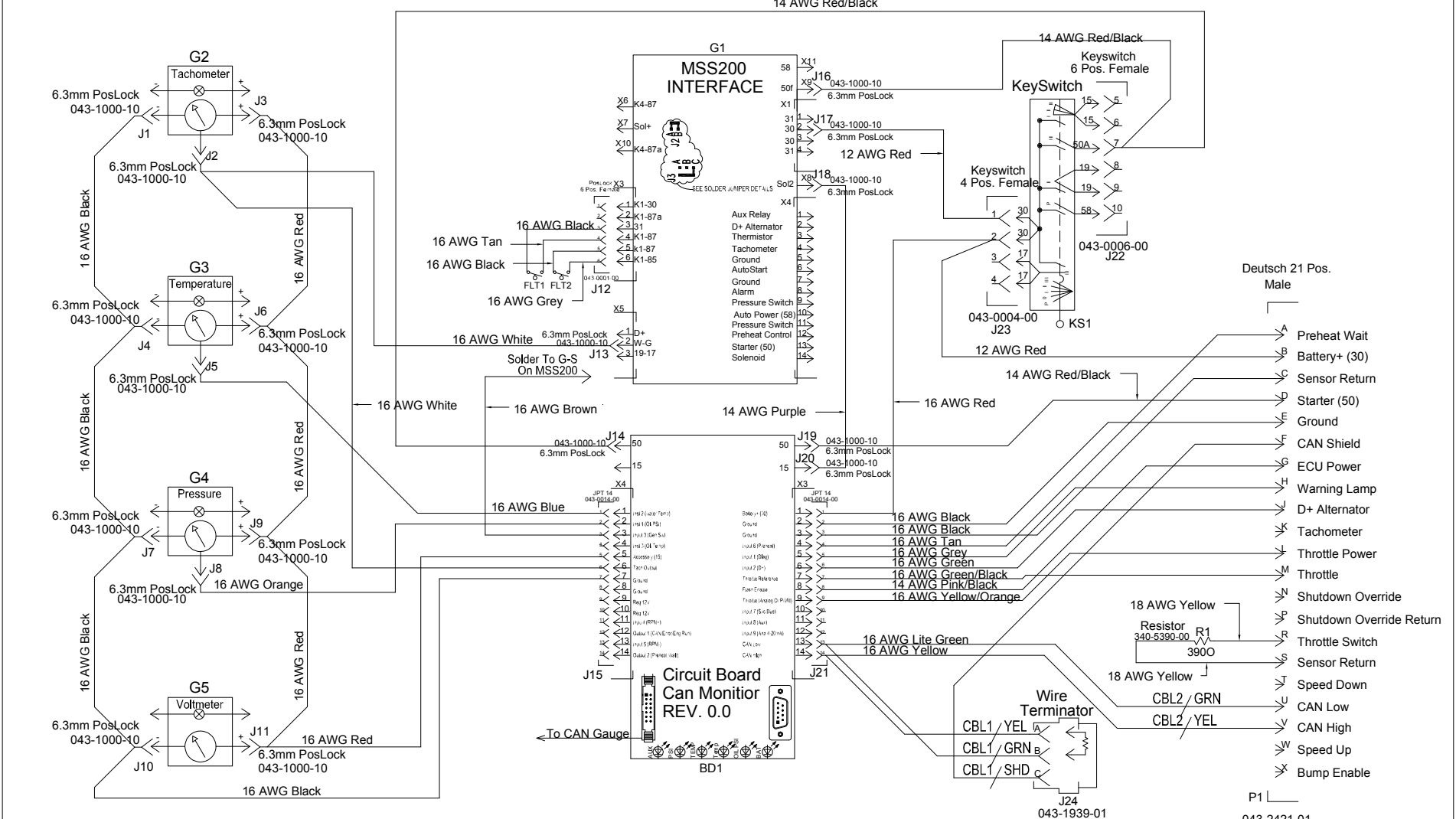


EM500 Series Panel Schematic with Deutsch 21 Pin Connector

THE INFORMATION CONTAINED IN THIS DRAWING IS CONFIDENTIAL AND THE SOLE PROPERTY OF LOFA INDUSTRIES INC. Reproduction or dissemination in whole or in part in any form or medium without express prior written permission of LOFA INDUSTRIES INC is prohibited.



Description:		Tolerances		X	XX	XXX	ANG ^o
Part Number: Panel EM500-G6A CAT 24V		±		1	02	005	2°
Rev	Drawn By: MThiam	Date: 02-17-06	Sheet 1 of 1				
250 Hembree Park Dr Ste 122		Roswell GA 30076	phone: 770-569-9828	fax: 770-569-9829	www.LOFA.net		

