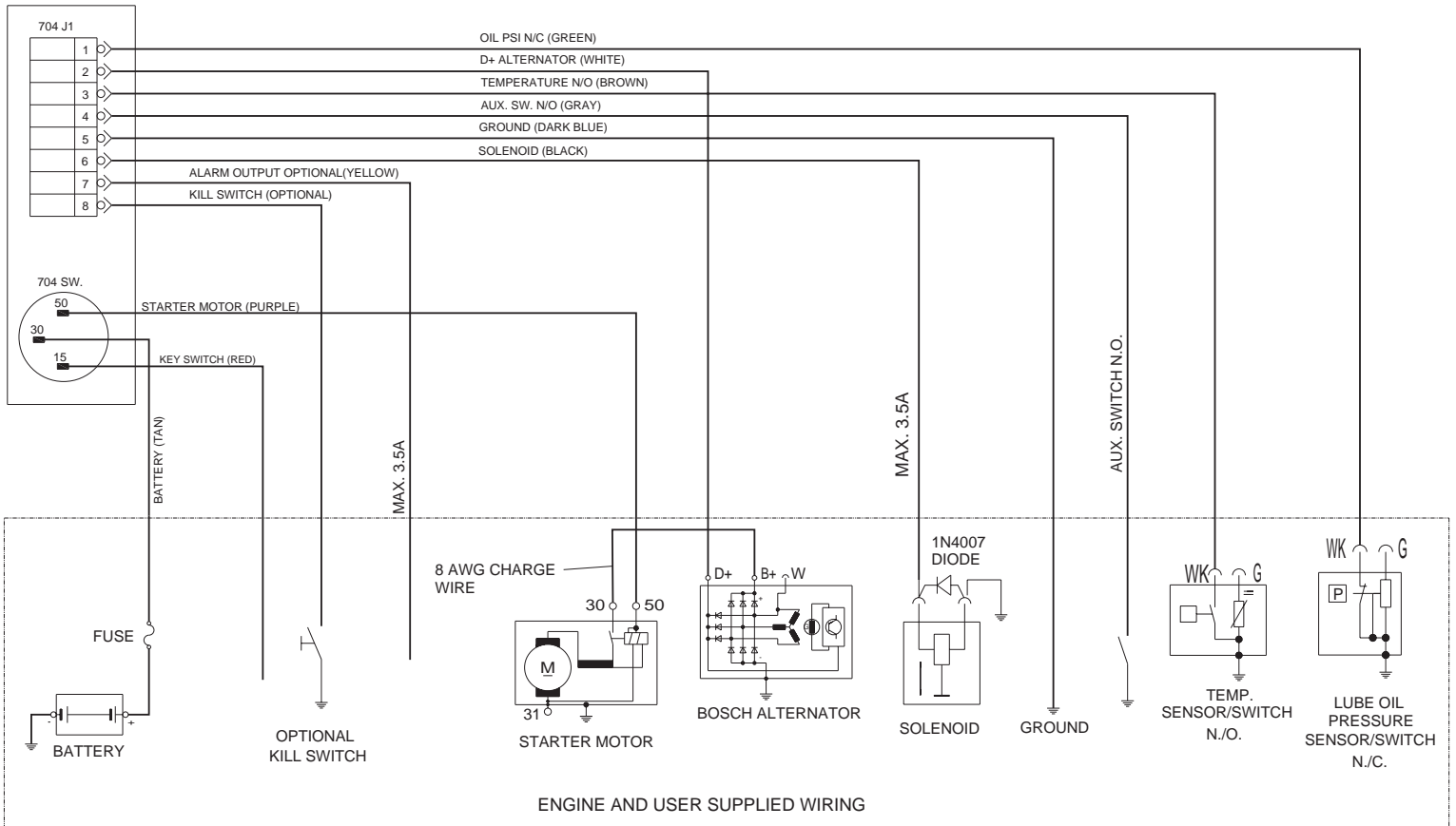


# MC-704 SERIES SCHEMATIC WITHOUT PREHEAT

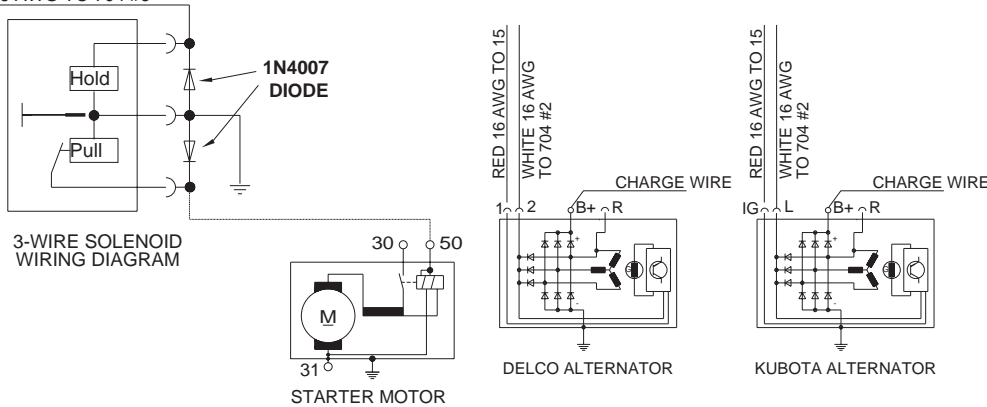
MC 704 - LC / H



## REDUCING VOLTAGE SPIKES

High Voltage spikes up to 1000V or more can occur momentarily when a relay or solenoid is switched off. Relay contacts, electronics, etc. can be damaged or malfunctions can occur if these spikes reach the electrical network without suppression. A **1N4007** diode should be used when using any of LOFA's products. Please install this diode as close as possible to the solenoid. Please note installing the diode incorrectly or reversing the polarity of the battery will damage the diode.

## BLACK 16 AWG TO 704 #6



## KEY SWITCH ELECTRICAL DIAGRAM

POS.	0	I	II	CURRENT
30 - 83	█			2 A
30 - 75		█		20 A
30 - 15		█	█	25 A
30 - 50		█	█	50 A 12 A



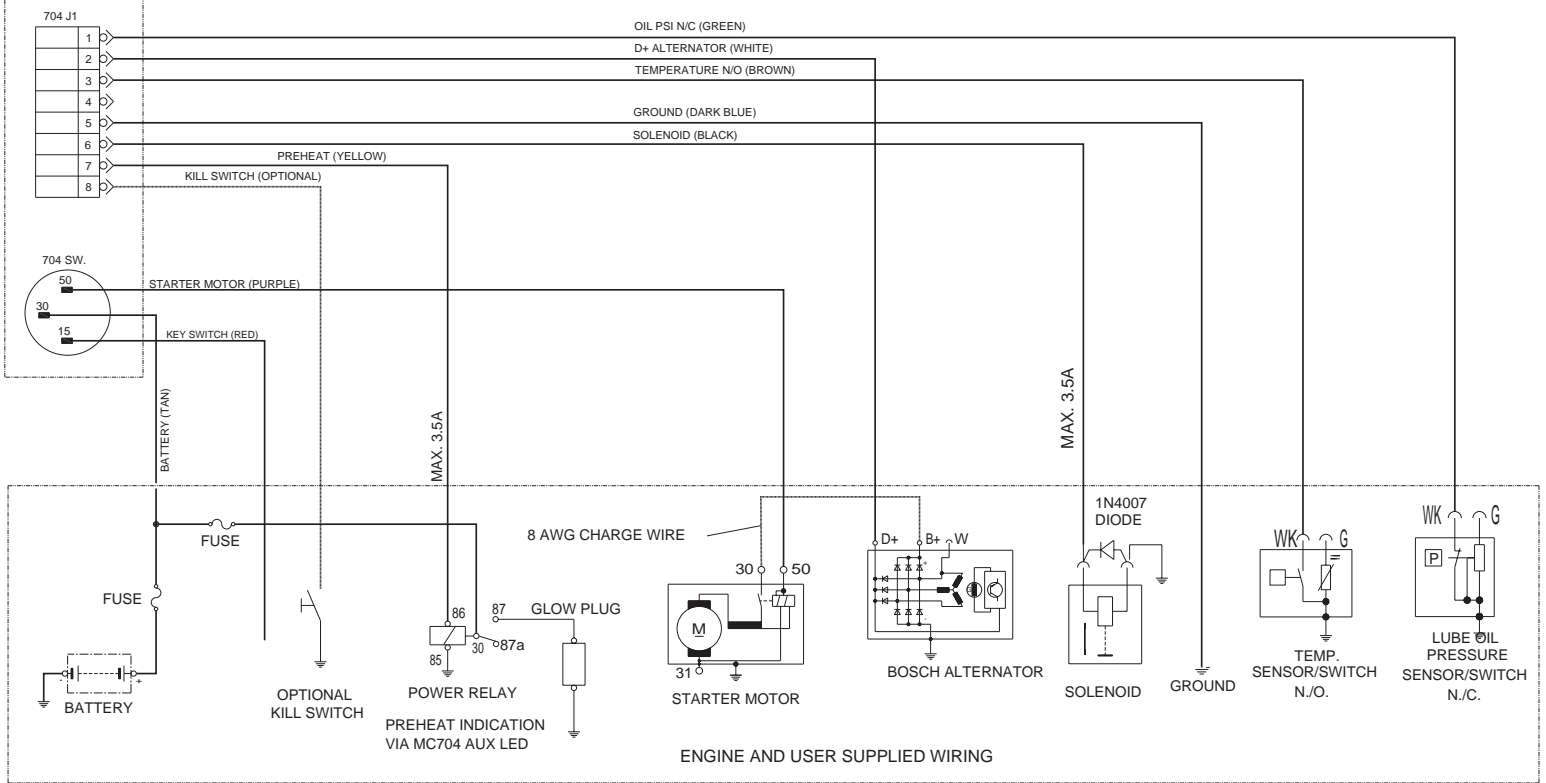
PHONE 770 569 9828 FAX 770 569 9829 [www.LOFA.net](http://www.LOFA.net)

©2002 LOFA Industries, Inc. LOFA Industries, Inc. is constantly striving to improve its products and must therefore reserve the right to change designs, materials, specifications and prices without notice. Printed in the USA. 9/03

250 Hembree Park Drive Suite 122 Roswell GA 30076

# MC-704 SERIES SCHEMATIC WITH PREHEAT

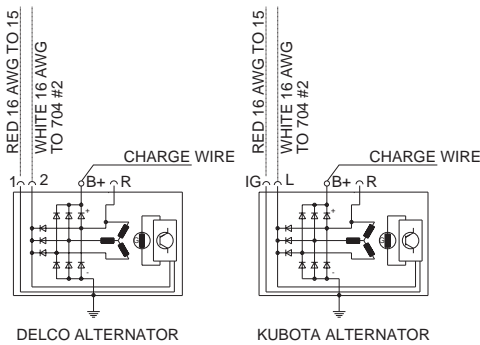
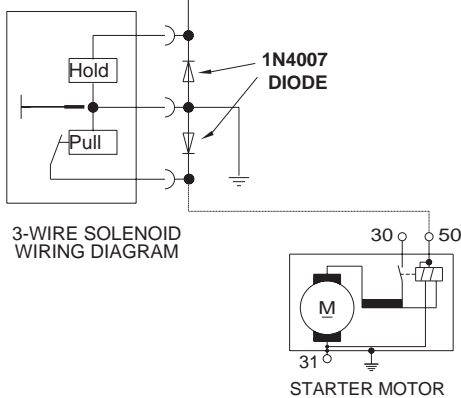
MC 704 - LC / H



## REDUCING VOLTAGE SPIKES

High Voltage spikes up to 1000V or more can occur momentarily when a relay or solenoid is switched off. Relay contacts, electronics, etc. can be damaged or malfunctions can occur if these spikes reach the electrical network without suppression. A **1N4007** diode should be used when using any of LOFA's products. Please install this diode as close as possible to the solenoid. Please note installing the diode incorrectly or reversing the polarity of the battery will damage the diode.

## BLACK 16 AWG TO 704 #6



## KEY SWITCH ELECTRICAL DIAGRAM

POS.	0	I	II	CURRENT
30 - 83	█			2 A
30 - 75		█		20 A
30 - 15		█	█	25 A
30 - 50		█	█	50 A 12 A



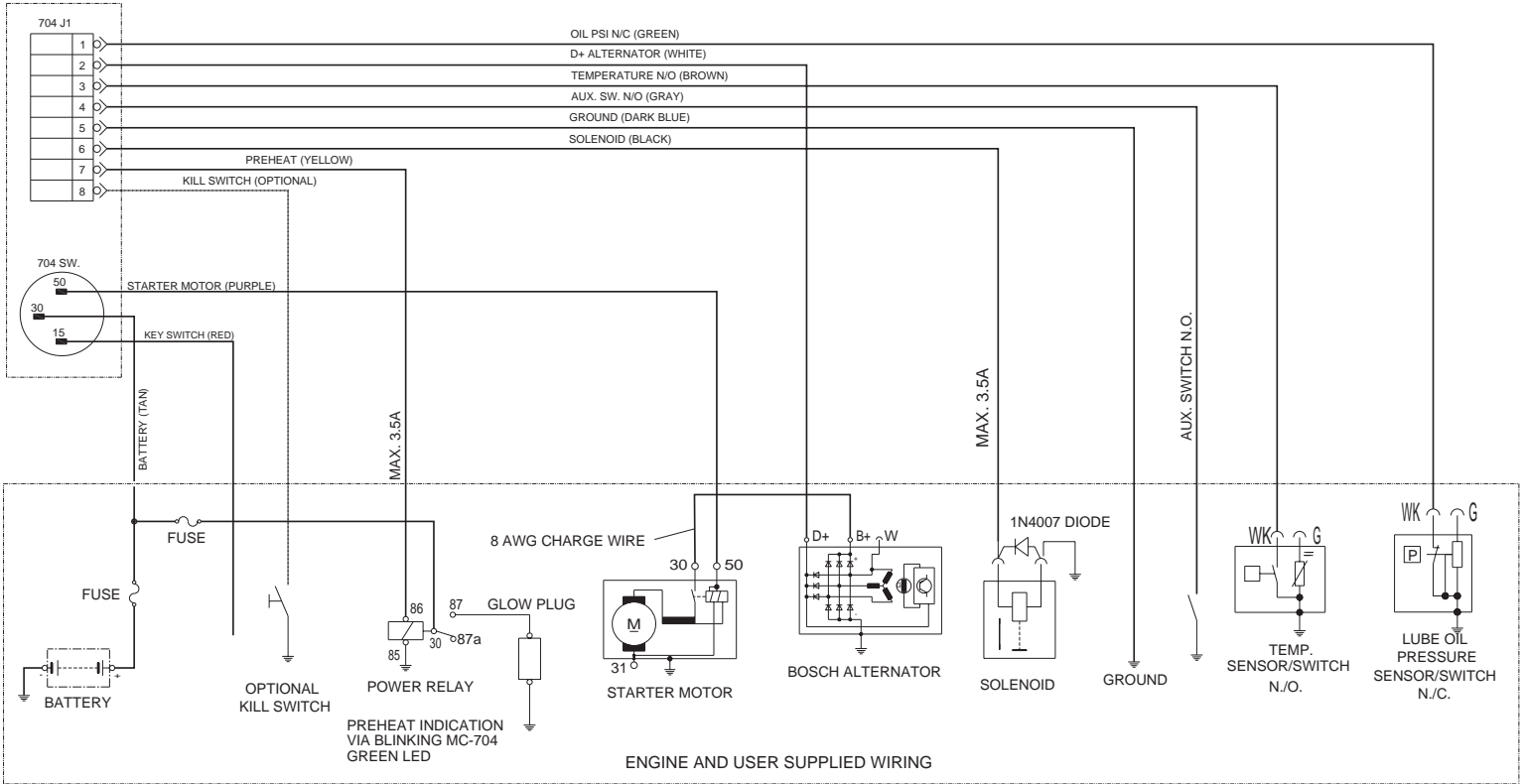
PHONE 770 569 9828 FAX 770 569 9829 www.LOFA.net

©2002 LOFA Industries, Inc. LOFA Industries, Inc. is constantly striving to improve its products and must therefore reserve the right to change designs, materials, specifications and prices without notice. Printed in the USA. 9/03

250 Hembree Park Drive Suite 122 Roswell GA 30076

# MC-704 SERIES SCHEMATIC WITH PREHEAT AND AUXILIARY SHUTDOWN

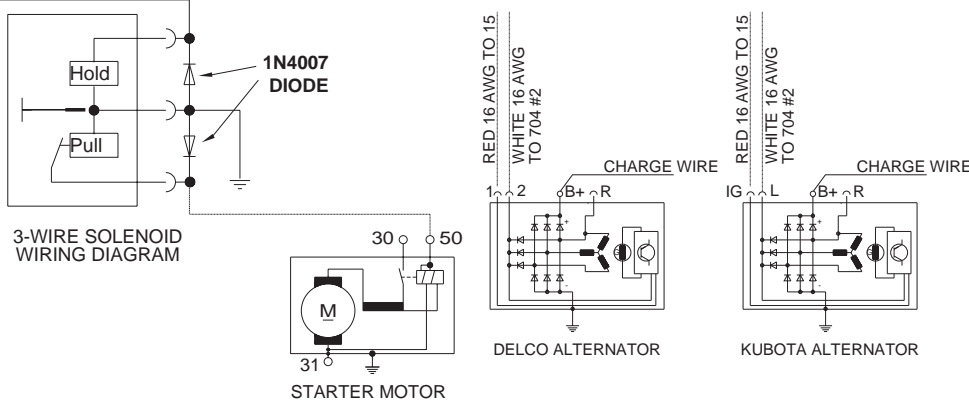
MC 704 - LC / H



## REDUCING VOLTAGE SPIKES

High Voltage spikes up to 1000V or more can occur momentarily when a relay or solenoid is switched off. Relay contacts, electronics, etc. can be damaged or malfunctions can occur if these spikes reach the electrical network without suppression. A **1N4007** diode should be used when using any of LOFA's products. Please install this diode as close as possible to the solenoid. Please note installing the diode incorrectly or reversing the polarity of the battery will damage the diode.

## BLACK 16 AWG TO 704 #6



KEY SWITCH ELECTRICAL DIAGRAM				
POS.	0	I	II	CURRENT
30 - 83	█			2 A
30 - 75		█		20 A
30 - 15		█ ←		25 A
30 - 50			█ ←	50 A 12 A



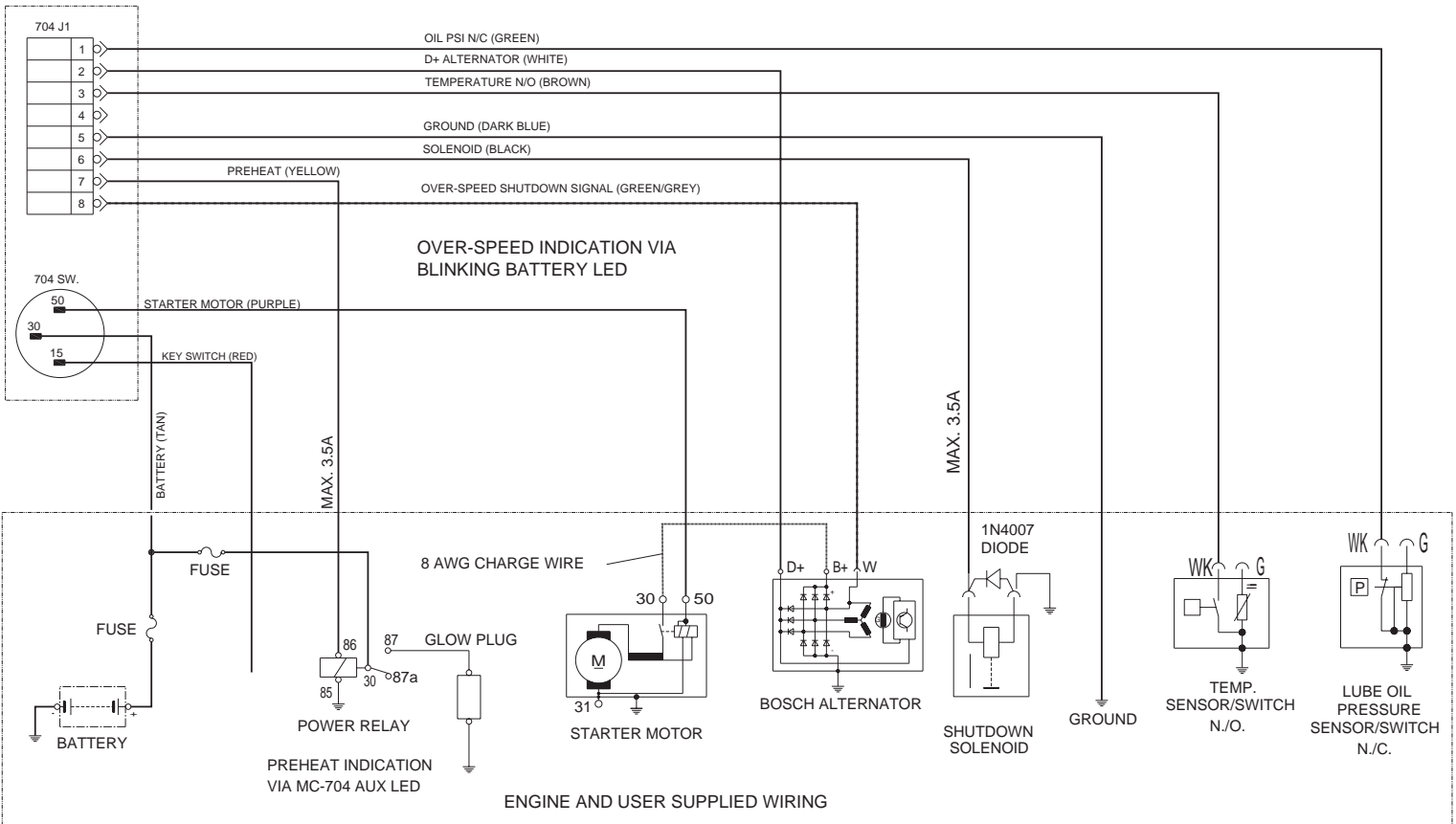
PHONE 770 569 9828 FAX 770 569 9829 [www.LOFA.net](http://www.LOFA.net)

©2002 LOFA Industries, Inc. LOFA Industries, Inc. is constantly striving to improve its products and must therefore reserve the right to change designs, materials, specifications and prices without notice. Printed in the USA. 9/03

250 Hembree Park Drive Suite 122 Roswell GA 30076

# MC-704 SERIES SCHEMATIC WITH PREHEAT AND OVER-SPEED

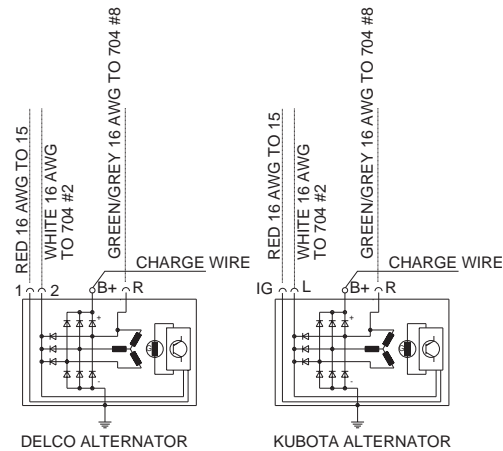
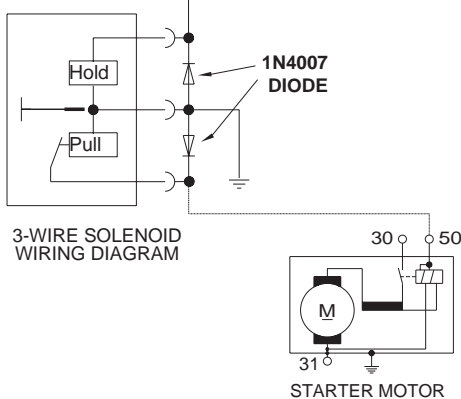
MC 704 - LC / H



## REDUCING VOLTAGE SPIKES

High Voltage spikes up to 1000V or more can occur momentarily when a relay or solenoid is switched off. Relay contacts, electronics, etc. can be damaged or malfunctions can occur if these spikes reach the electrical network without suppression. A **1N4007** diode should be used when using any of LOFA's products. Please install this diode as close as possible to the solenoid. Please note installing the diode incorrectly or reversing the polarity of the battery will damage the diode.

## BLACK 16 AWG TO 704 #6



## KEY SWITCH ELECTRICAL DIAGRAM

POS.	0	I	II	CURRENT
30 - 83	█			2 A
30 - 75		█		20 A
30 - 15		█	←	25 A
30 - 50			←	50 A 12 A



PHONE 770 569 9828 FAX 770 569 9829 www.LOFA.net

©2002 LOFA Industries, Inc. LOFA Industries, Inc. is constantly striving to improve its products and must therefore reserve the right to change designs, materials, specifications and prices without notice. Printed in the USA. 9/03

250 Hembree Park Drive Suite 122 Roswell GA 30076